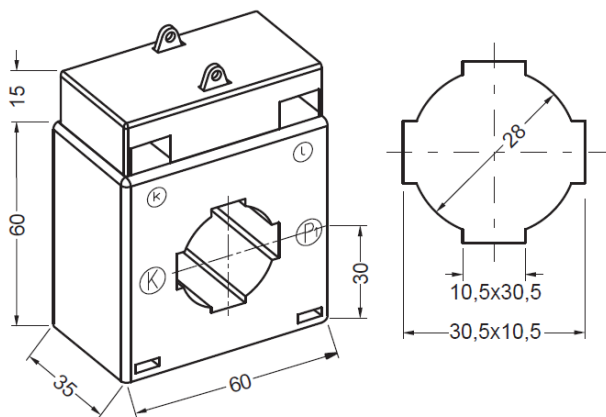


ROUND CONDUCTOR / BUSBAR TYPE CURRENT TRANSFORMER

IPN30



Round conductor
Primary busbar

28 mm
30 x 10 mm

Weight

250 – 400 g

I_{tso}	Cl.	RATED PRIMARY CURRENT I_{pr}											A	
		60	75	80	100	125	150	200	250	300	400	500		600
5 A	1	1,25	1,25	1,25	1,25	2,5	2,5	2,5	2,5	2,5	2,5	5	5	VA
					2,5	3,75	5	5	5	5	5	10	10	
								7,5	10	10	10	15	15	
	0,5				1,25	1,25	2,5	2,5	2,5	2,5	2,5	5	5	
						2		5	5	5	5	10	10	
									7,5	10	10	15	15	
1 A	1	1,25	1,25	1,25	1,25	2,5	2,5	2,5	2,5	2,5	2,5	5	5	VA
					2,5	3,75	5	5	5	5	5	10	10	
								7,5	10	10	10	15	15	
	0,5				1,25	1,25	2,5	2,5	2,5	2,5	2,5	5	5	
						2		5	5	5	5	10	10	
									7,5	10	10	15	15	

ACCESSORIES (INCLUDED IN THE SCOPE OF SUPPLY):

- 1 pc. primary busbar fixing clamps (type N30)
- 2 pcs. headless set screws M5 x18
- 1 pc. secondary terminal cover (transparent)
- 2 pcs. mounting feet

OPTIONAL ACCESSORIES:

- Snap-on mounting brackets for rail TS35 (DIN EN 60715)
 - Rotatable metal plate
 - Rigid plastic clips
- Copper busbars in different sizes
- Insulating protective caps for primary busbar set screws
- Copper sleeve bush $d_a = 21$ mm, $d_i = 12,5$ mm, $L = 37$ mm (other lengths on request)

GENERAL TECHNICAL DATA:

Highest voltage for equipment U_m	0,72 kV
Rated power frequency withstand voltage $(r.m.s.)$	3 kV / 1 min
Rated frequency	50 / 60 Hz
Rated continuous thermal current I_{cth}	$1,2 \times I_{pr}$
Instrument security factor	FS5 or FS10
Rated short-time thermal current I_{th}	$60 \times I_{pr}$ for 1 sec
Rated dynamic current I_{dyn}	$2,5 \times I_{th}$
Environmental conditions	Indoor use
Ambient air temperature (operating)	-5°C ... +40°C (other temperatures on request)
Ambient air temperature (storage / transport)	-40°C ... +60°C
Short-term temperature of primary conductor	Max. 170°C for 1 sec
Insulating class	H
Standards	DIN EN 61869 Teil 1 + 2, DIN VDE 0414
Enclosure	Break-proof polyamide, flame retardant
Secondary terminals	Nickel-plated crosshead screws (2 Nm), integrated secondary terminal cover

SPECIAL DESIGNS (UPON REQUEST):

- Other ratios, burdens or accuracy classes
- Cast resin encapsulation
- Highest voltage for equipment 1,2 kV