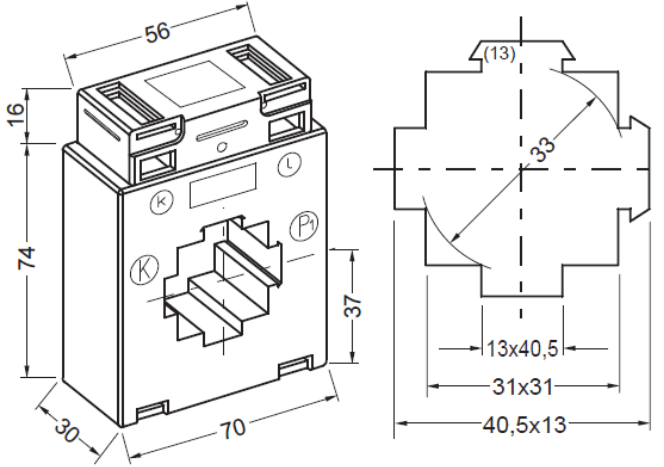


BUSBAR TYPE CURRENT TRANSFORMER

7A412.3



Round conductor
Primary busbar

Weight

33 mm
40 x 10 mm
2 x 30 x 10 mm
280 – 350 g

I _{tes}	Cl.	RATED PRIMARY CURRENT I _{pr}															A			
		60	75	80	100	125	150	200	250	300	400	500	600	750	800	1000				
5A	3	1,25	1,25																	
	1			1,25	2,5	2,5	2,5	2,5	2,5	2,5	2,5	2,5	2,5	2,5	2,5	2,5	2,5	2,5	2,5	2,5
						3,75	3,75	5	5	5	5	5	5	5	5	5	5	5	5	5
									7,5	7,5	10	10	10	10	10	10	10	10	10	10
	0,5					1,25	2,5	2,5	2,5	2,5	2,5	2,5	2,5	2,5	2,5	5	5			
									5	5	5	5	5	5	5	10	10	10	10	10
	0,5S									2,5	2,5	2,5	2,5	2,5	2,5	2,5	2,5	5	5	5
										5	5	5	5	5	5	5	5	5	5	10
	0,2															2,5	2,5	2,5	2,5	2,5
																5	5	5	5	10
	0,2S															10	10	10	10	10
	1A	3	1,25	1,25																
		1			1,25	2,5	2,5	2,5	2,5	2,5	2,5	2,5	2,5	2,5	2,5	2,5	2,5	2,5	2,5	2,5
						3,75	5	5	5	5	5	5	5	5	5	5	5	5	5	5
									7,5	7,5	7,5	10	10	10	10	10	10	10	10	10
0,5						1,25	1	2,5	2,5	2,5	2,5	2,5	2,5	2,5	2,5	5	5			
							2,5	3,75	5	5	5	5	5	5	5	10	10	10	10	10
0,5S								1	2,5	2,5	2,5	2,5	2,5	2,5	2,5	2,5	2,5	2,5	5	5
									5	5	5	5	5	5	5	5	5	5	5	10
0,2																7,5	7,5	10	10	10
																2,5	2,5	2,5	2,5	2,5
0,2S																5	5	5	5	5
																2,5	2,5	2,5	2,5	2,5

ACCESSORIES (INCLUDED IN THE SCOPE OF SUPPLY):

- 1 pc. primary busbar fixing clamps (type 13)
- 2 pcs. headless set screws M5x35
- 2 pcs. secondary terminal cover (yellow sliders)
- 2 pcs. pressure protective caps for primary busbar set screws

OPTIONAL ACCESSORIES:

- Primary busbar quick fixing set (type 13-40)
- Snap-on mounting brackets for rail TS35 (DIN EN 60715)
- Copper busbars in different sizes
- Insulating protective caps for primary busbar set screws
- Mounting feet

GENERAL TECHNICAL DATA:

Highest voltage for equipment U_m	0,72 kV
Rated power frequency withstand voltage (r.m.s.)	3 kV / 1 min
Rated frequency	50 / 60 Hz
Rated continuous thermal current I_{cth}	1,2 x I_{pr}
Instrument security factor	FS5 or FS10
Rated short-time thermal current I_{th}	60 x I_{pr} for 1 sec
Rated dynamic current I_{dyn}	2,5 x I_{th}
Environmental conditions	Indoor use
Ambient air temperature (operating)	-5°C ... +40°C (other temperatures on request)
Ambient air temperature (storage / transport)	-40°C ... +60°C
Short-term temperature of primary conductor	Max. 170°C for 1 sec
Insulating class	H
Standards	DIN EN 61869 /1 + 2; DIN VDE 0414 DIN EN 42600 /1 + 2
Enclosure	Break-proof polyamide, flame retardant
Secondary terminals	Nickel-plated crosshead screws (2 Nm), integrated secondary terminal cover

SPECIAL DESIGNS (UPON REQUEST):

- Other ratios, burdens or accuracy classes
- Secondary reconnection
- Cast resin encapsulation
- Highest voltage for equipment 1,2 kV