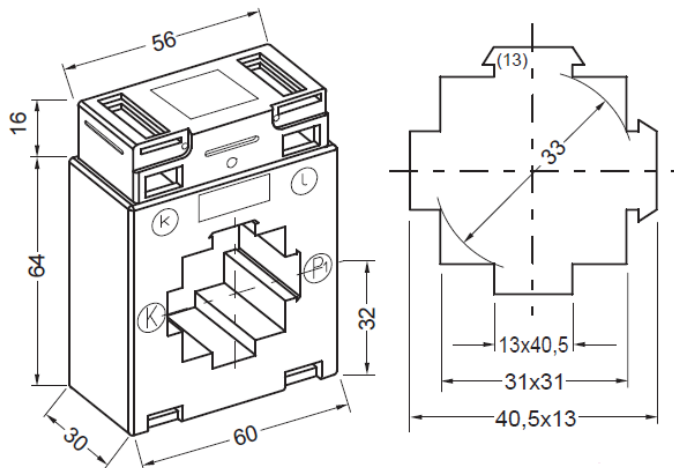


BUSBAR TYPE CURRENT TRANSFORMER

6A412.3



Round conductor
Primary busbar

Weight

33 mm
40 x 10 mm
2 x 30 x 10 mm
160 – 220 g

I_{seo}	Cl.	RATED PRIMARY CURRENT I_{pr}									A
		150	200	250	300	400	500	600	750	800	
5 A	1		1,25	2	2,5	2,5	2,5	1,25	2,5	2,5	VA
						3,75	5				
	0,5			1,5	2,5	2,5	2,5	1,25	2,5	2,5	
						3,75	5				
1 A	1		2,5	2	2,5	2,5	2,5	2,5	2,5	VA	
						3,75	5				
	0,5		1,25	1,25	2,5	2,5	2,5	2,5	2,5		
						3,75	5				

ACCESSORIES (INCLUDED IN THE SCOPE OF SUPPLY):

- 1 pc. primary busbar fixing clamps (type 13)
- 2 pcs. headless set screws M5x35
- 2 pcs. secondary terminal cover (yellow sliders)
- 2 pcs. pressure protective caps for primary busbar set screws

OPTIONAL ACCESSORIES:

- Primary busbar quick fixing set (type 13-40)
- Snap-on mounting brackets for rail TS35 (DIN EN 60715)
- Copper busbars in different sizes
- Insulating protective caps for primary busbar set screws
- Mounting feet

GENERAL TECHNICAL DATA:

Highest voltage for equipment U_m	0,72 kV
Rated power frequency withstand voltage (r.m.s.)	3 kV / 1 min
Rated frequency	50 / 60 Hz
Rated continuous thermal current I_{cth}	1,2 x I_{pr}
Instrument security factor	FS5 or FS10
Rated short-time thermal current I_{th}	60 x I_{pr} for 1 sec
Rated dynamic current I_{dyn}	2,5 x I_{th}
Environmental conditions	Indoor use
Ambient air temperature (operating)	-5°C ... +40°C (other temperatures on request)
Ambient air temperature (storage / transport)	-40°C ... +60°C
Short-term temperature of primary conductor	Max. 170°C for 1 sec
Insulating class	H
Standards	DIN EN 61869 /1 + 2; DIN VDE 0414
Enclosure	Break-proof polyamide, flame retardant
Secondary terminals	Nickel-plated crosshead screws (2 Nm), integrated secondary terminal cover

SPECIAL DESIGNS (UPON REQUEST):

- Other ratios, burdens or accuracy classes
- Cast resin encapsulation
- Highest voltage for equipment 1,2 kV